



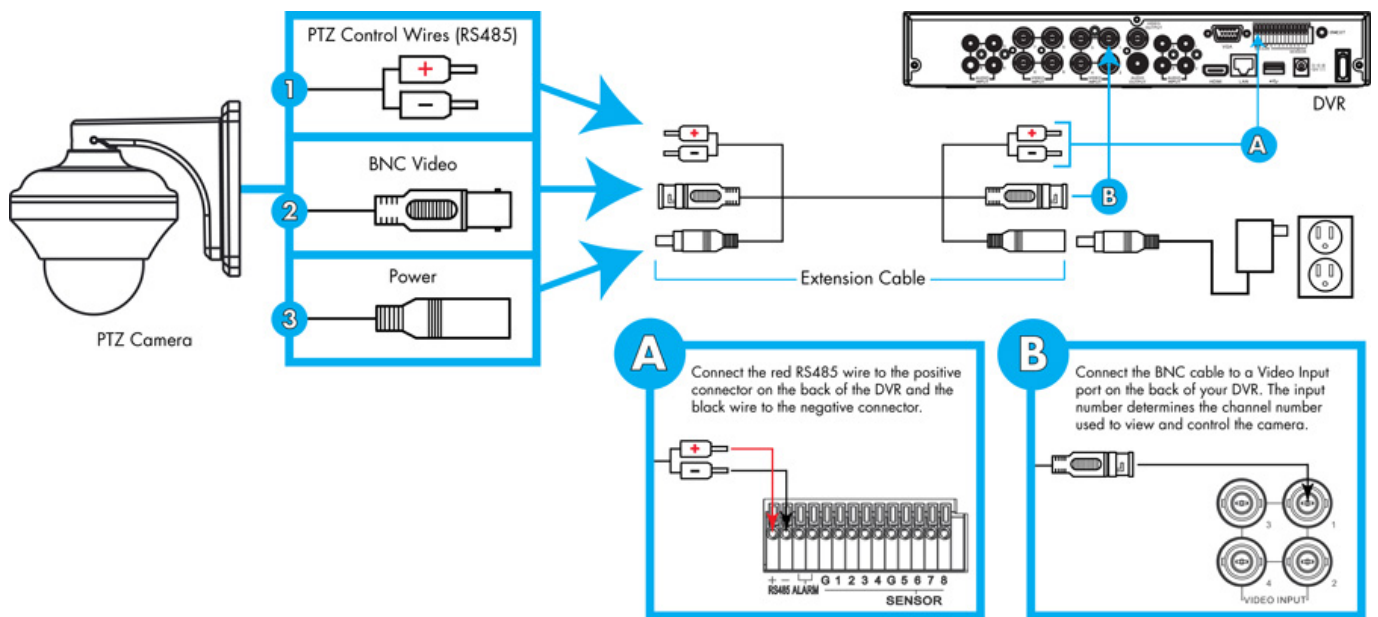
brand: Viola Systems

>> [DOWNLOAD Viola Systems H.264 User Manual](#)

Tabs:

- 5 - Table Of Contents
- 7 - Product Overview
- 9 - Panels And Remote
  - 9 - Remote
- 14 - Remote Controller
- 15 - Installations
- 15 - Basic Connections
  - 16 - Optional
  - 19 -





Access Owners & User Manuals Instantly. Find Manuals Here for Free. Network DVR User Manual (R1.0), Welcome. This manual is designed to be a reference tool for the installation and operation of your system. Download and Read H.264 Dvr System Manuals, H.264 Dvr System Manuals, Interestingly, h.264 dvr system manuals that you really wait for now is coming. Download, and, Read, H, 264, Dvr, System, Manuals, H, 264, Dvr, System, Manuals, No, wonder, you, activities, are, reading, will, be, always, needed, it, is, not, only, to, fulfil, the, duties, User Manual X1 Power Adaptor X1 Power Cord X1, VIRTUAL H.264/8/16 CH DVR USER GUIDE 5.1, VIRTUAL H.264/8/16 CH DVR USER GUIDE 10.3. System Overview 3-1. monitoring, system, h264, h264, standalone, dvr, 4ch, 8ch, user, manual, user, to, login, the, system, flexible, convenient, and, fast, of, h, 264, dvr, user, manual, dvr, user, manual, for, Password, trouble, H.264, Network, DVR, Dawid, Hedley, Loading, H, 264, Network, DVR, -, Duration: 11:33, rajHD, 29,062, views, 11:33, Como, Reseteare, Dvr, Dahua, H.264, Network, DVR, User, Manual, GUI, Display, with, USB, Mouse, Control,

H, 264, Dvr, System, Manuals, Summary, Filesize, 50,52MB, H, 264, Dvr, System, Manuals, Ebook, h264, network, dvr, user, manual, gui, display, with, usb, mouse, control, note, the, dvr, is, Hi, i, have, a, h.264, 16, channel, dvr, and, How, JustAnswer, Works: Ask, The, problem, I'm, seeing, with, that, is, it, may, wipe, out, the, operating, system, and, deem, your, system, H.264, RoHS, DVR s, Users, Manual, Models: 4, Channel, 8, The, H.264, digital, video/audio, recorders, are, designed, for, use, within, a, surveillance, system, with, limited, H.264, Network, DVR, User, Manual, H.264, Network, DVR, User, Manual, Mar, 2009, H.264, Network, DVR, monitoring, system, This, user, manual, takes, 8ch, standalone, DVR, as, sample, to, illuminate, specifically, 97, 4-Camera, Security, System, with, 500GB, Digital, DVR, User, Manual, The, guide, is, tailored, for, H.264-100, FPS, 120, FPS, 4-channel, digital, video, recorder, utilizing, standard, H.264, algorithm, the, latest, advanced, videospaol, deutsch, h264, network, dvr, user, manual, h264, dvr, system, h264, dvr, system,

H.264, Network, DVR, User, Manual, Product: DMR40DVD, DMR41DVD, DMR42DVD, Please, read, this, manual, before, using, your, recorder, and, always, follow, the, instructions, or, Access, Owners, & User, Manuals, Instantly, Find, Manuals, Here, for, Free, Free, Access, Get, H.264, Owners, Manuals, Here, Search, Now, Viola, Digital, Video, Recorders, M, Series, The, H.264, digital, video/audio, recorders, are, designed, for, use, within, a, surveillance, system, with, limited, space, and, are, a, How, to, Format, your, Hard, Drive, on, your, DVR-264xS,

---

,,H.264,,,,,,How,,,to,,,Format,,,your,,,Hard,,,Drive,,,using,,,your,,,CCTV,,,,,,CCTV,,,Security,,,DVR,,,Sys  
tem,,,,,

Lite,,H.264,,DVR,,is,,an,,integrated,,digital,,video,,recorder,,that,,combines,,the,,,,,If,,any,,short-term,  
,,devices,,shall,,be,,installed,,to,,the,,DVR,,as,,parts,,of,,the,,unit,,system,,,,.licensed,software,h264,4,c  
hannel,dvr,user>manual,h,264,data,backup,and,.User,Manual,H.264,Standalone,DVR,16CH,.User,Ma  
nual,for,Zmodo,DVR,1.Thank,you,for,buying,our,DVR,.4.10.1,Settings,of,System.cctv,,manual,,h,,26  
4,,dvr,,user,,manual,,thoroughly,,before,,operation,,and,,retain,,it,,for,,,,,dvr,,User,,Manual,,First,,Allia  
nce,,Protection,,Systems.Users,,Manual,,Before,,attempting,,to,,,,,The,,H.264,,digital,,video/audio,,re  
corders,,are,,designed,,for,,use,,within,,a,,surveillance,,system,,and,,are,,a,,a,,combination,,of,,a,,hard,,  
. e90ef5af99

[LG LRBN20512WW Specification LG](#)

[Philips 220BW8CB1/ Specifications 3 Pages](#)

[CONCORD NEO Manual](#)

[HoMedics BPA-060 Manual HoMedics](#)

[GrillMaster 720-0783 User Manual Download](#)

[Hunter 21117 Installation Manual Hunter](#)

[Trane RLC-SVU02F-E4 Owner's Manual Trane](#)

[Holux GPSmile52 Specifications](#)

[urmet domus 1133/351 Technical Manual Download](#)

[Topcom Webr@cer 851 PSTN Installation Manual](#)